

6

5

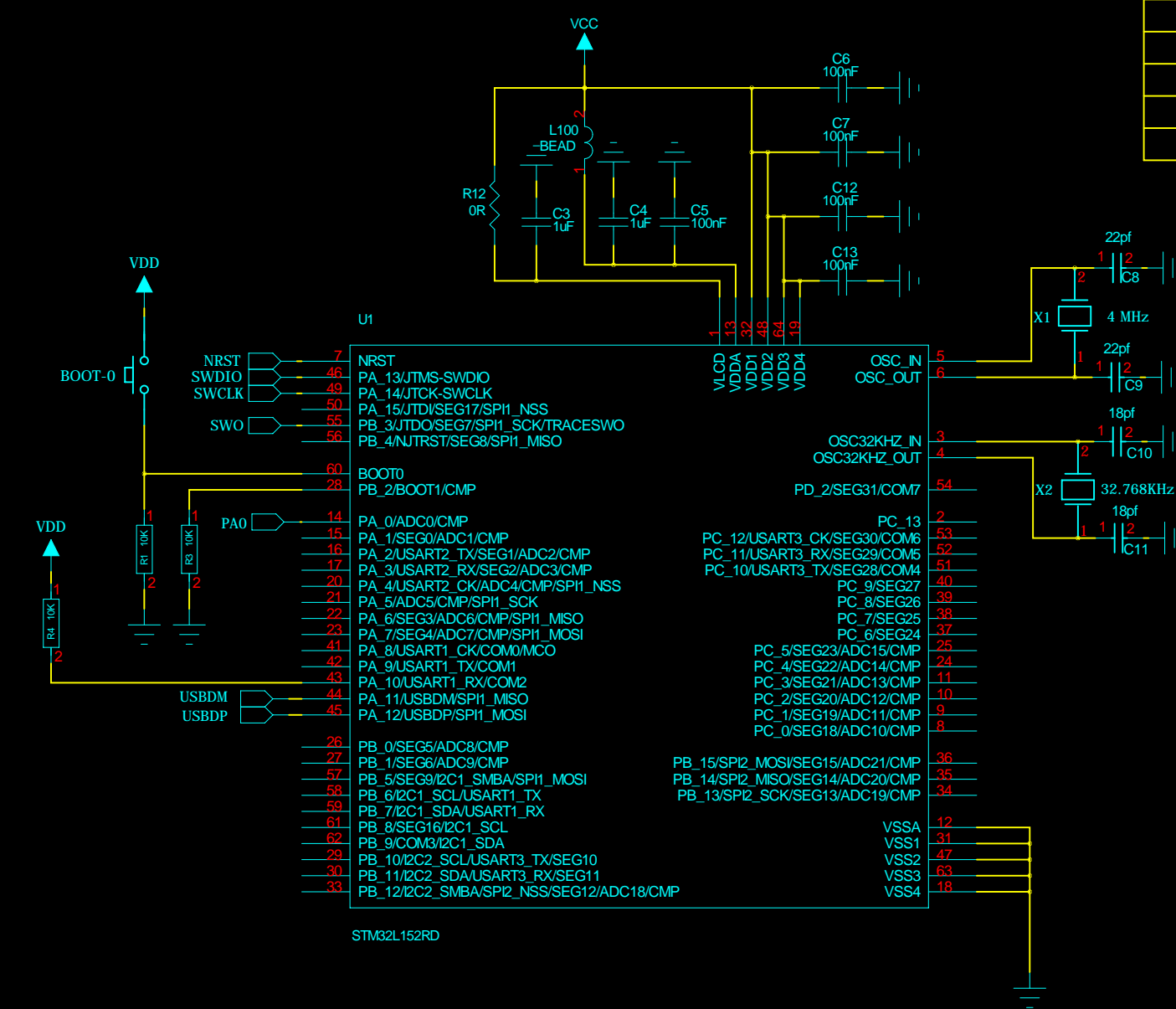
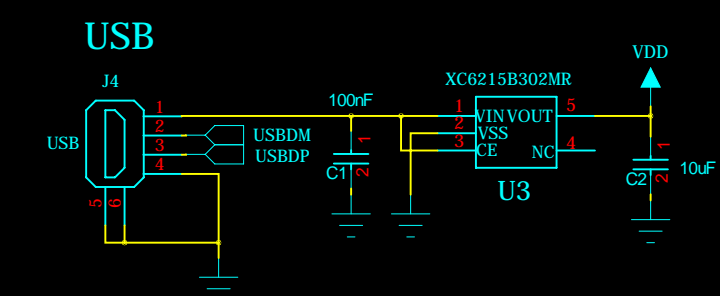
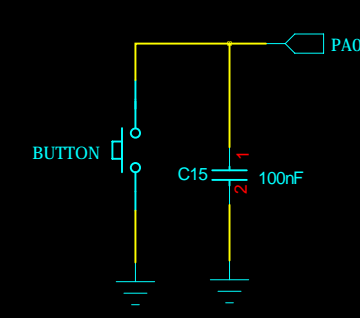
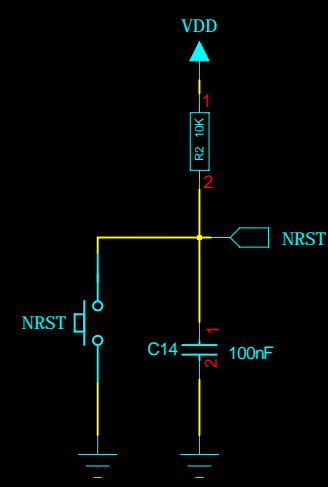
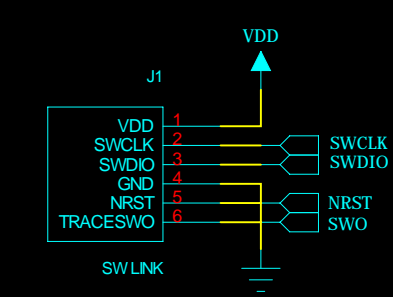
4

3

2

1

REVISION RECORD			
LTR	ECO NO:	APPROVED:	DATE:



D

D

C

C

B

B

A

A

COMPANY:				STM32L152RD LP Kit							
TITLE:				Coskun ERGAN							
DRAWN:		DATED:		CODE:		SIZE:		DRAWING NO:		REV:	
<Drawn By>		30/11/2013		<Code>		B		A		1	
CHECKED:		DATED:		QUALITY CONTROL:		RELEASED:		SCALE:		SHEET: 1 of 1	
<Checked By>		30/11/2013		<QC By>		<Release Date>		<Scale>			

DRAWN:	DATED:
<Drawn By>	30/11/2013
CHECKED:	DATED:
<Checked By>	30/11/2013
QUALITY CONTROL:	DATED:
<QC By>	<QC Date>
RELEASED:	DATED:
<Released By>	<Release Date>